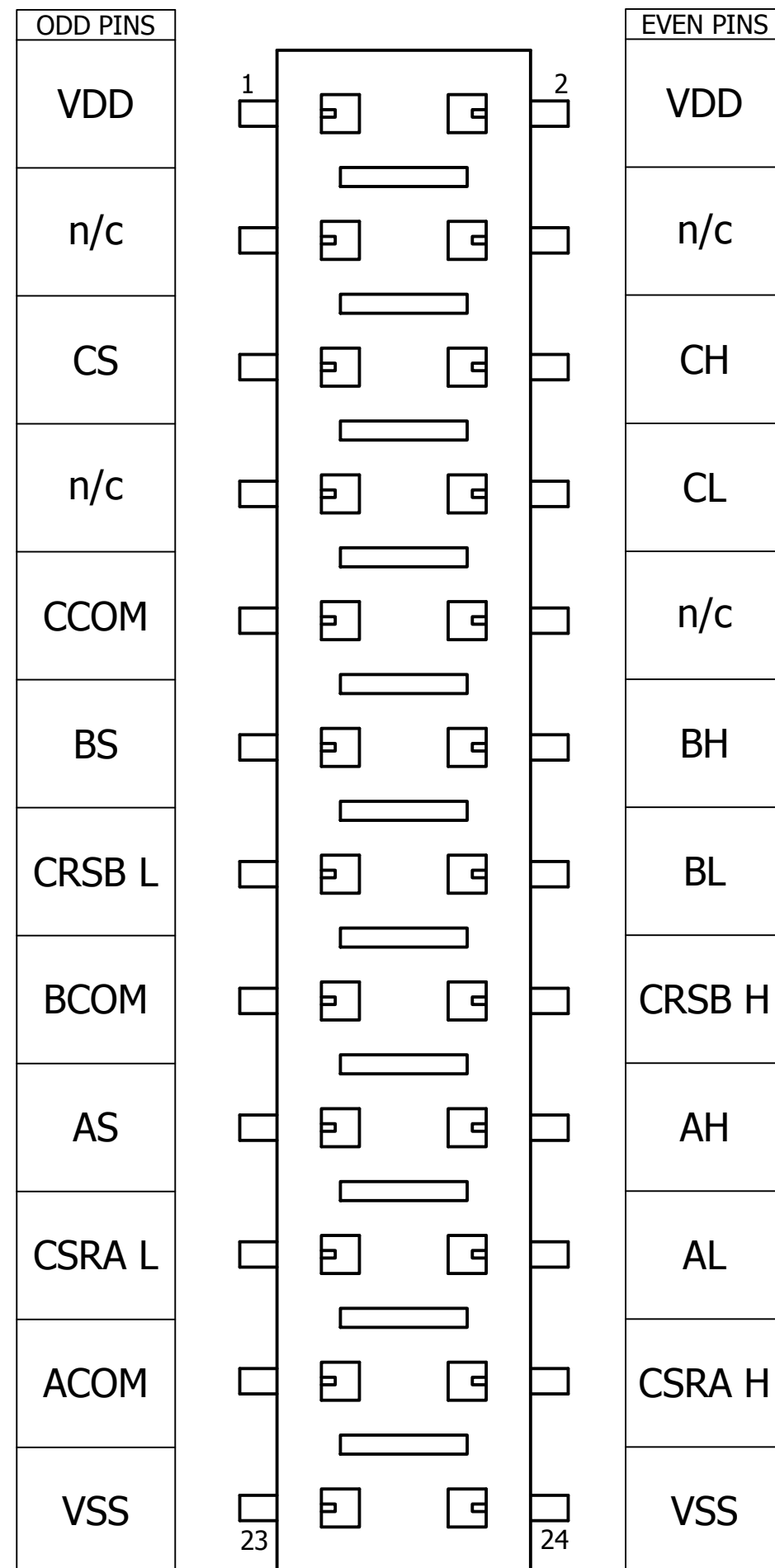


Brushless Ragebridge Standard Signal Interface - Revision 11/2017

For creating your own power or signal stages

The information provided in this document is intended for informational purposes only and is subject to change without notice.
 Technical support or consultation is neither implied nor expressed with this document. Equals Zero Designs 2017

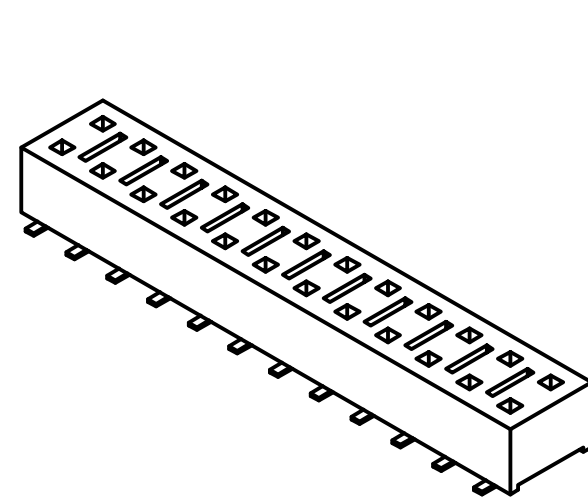
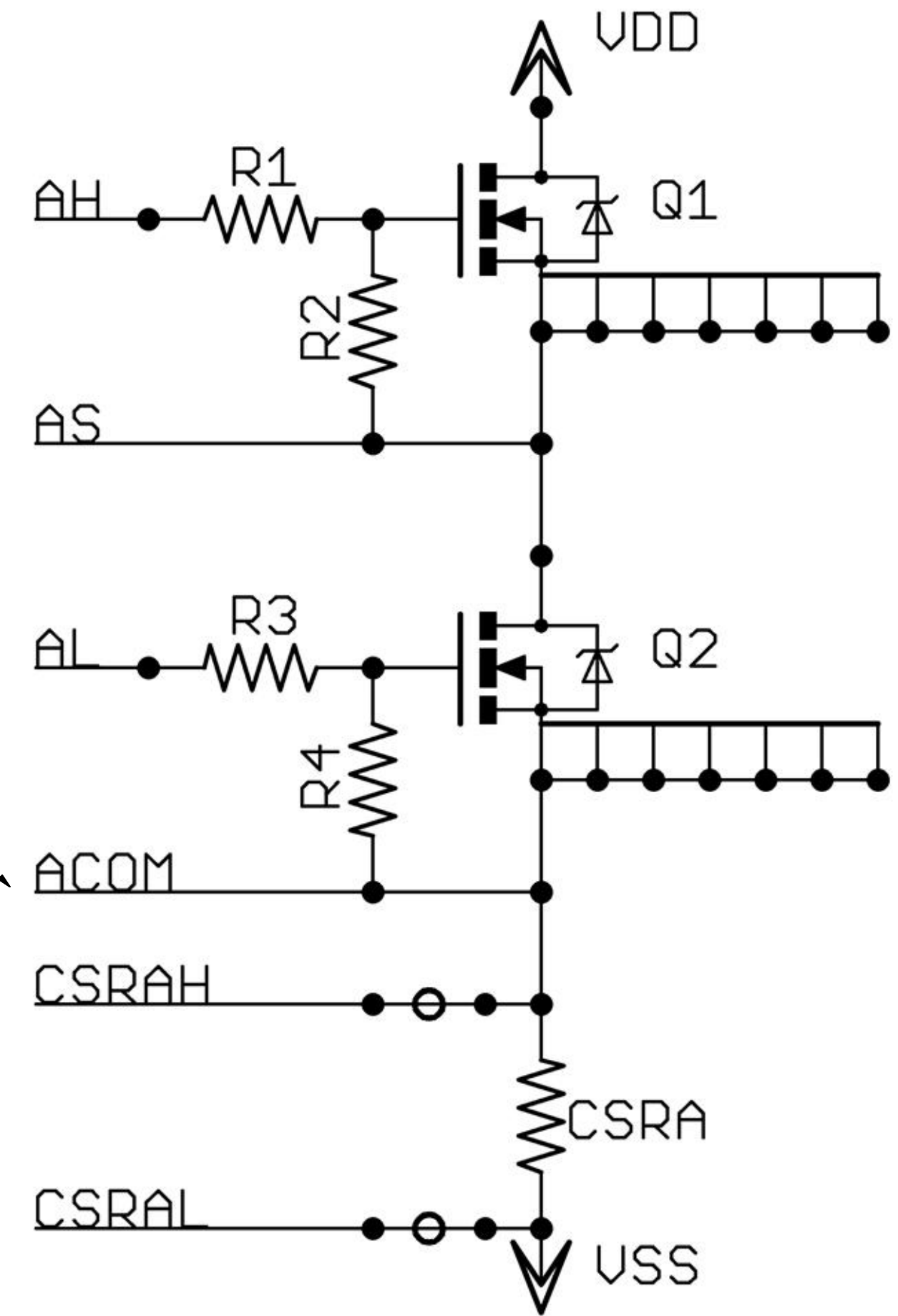
Signal Header



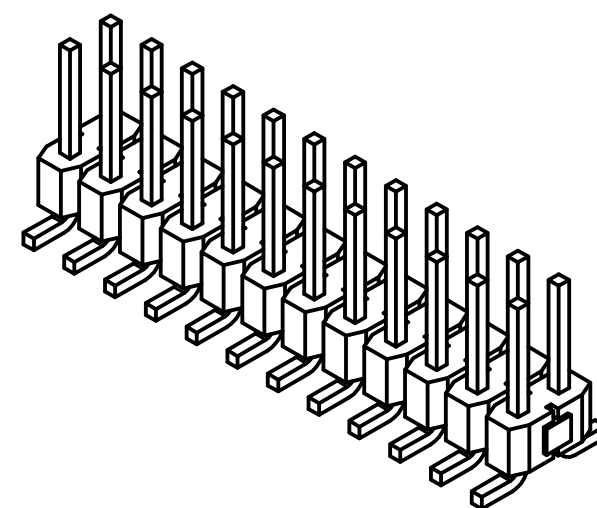
n/c pins follow the same pattern as phase A and B. This is intended to allow phase C or DC bus sensing.

xCOM pins are used for gate drive return current. CSRxH and CSRxL are Kelvin measurement points for the current sense resistor. If you are NOT using current sensing, these pins can be all joined.

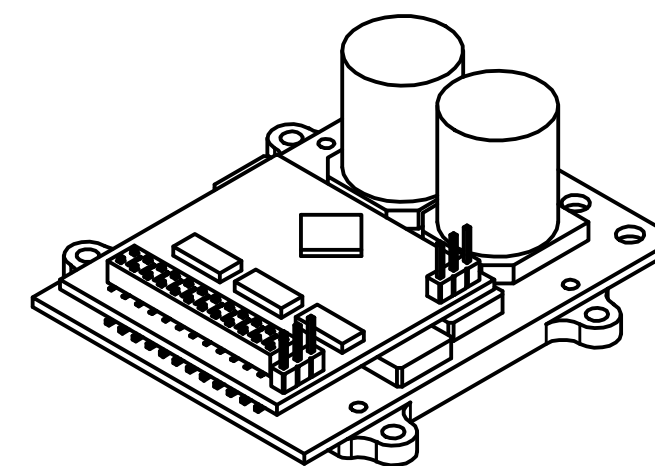
Example Phase Structure



Samtec HLE-112-G-DV-BE



Samtec TSM-112-01-T-DV



Stacking arrangement